



KITS



PUMPS



METERS



METERED NOZZLES



NOZZLES



WASTE OIL EQUIPMENTS

VISCOTROLL GEAR

FEATURES

- ON DEMAND FLOW
- ADJUSTABLE BYPASS
- SUPER SILENT
- READY TO USE
- OVAL GEAR METER
- STURDY DESIGN CART

The PIUSI VISCOTROLL GEAR is a mobile oil dispenser suitable to dispense medium/high viscosity lubricants. This versatile mobile cart is available in AC/DC version both powered by PIUSI VISCOMAT PUMP.

PERFORMANCE

UP TO 9 L/MIN	BELOW 65 DB
FLOW RATE	NOISE LEVEL
± 0,5%	UP TO 2000 cSt
ACCURACY	VISCOSITY



VISCOTROLL GEAR AC



VISCOTROLL GEAR DC



PACKAGING

CODE	WEIGHT		PACKAGING			
	KG	LBS	MM	INCH	PCS/PALLET	PCS/BOX
VISCOTROLL DC 120/1						
FOO263200	57	125,7	1090X690X320	42,9X27,2X11,8		1
FOO263210	58	125,9	1090X690X320	42,9X27,2X11,8		1
VISCOTROLL AC 200						
FOO26300D	34	75	1090X690X300	42,9X27,2X11,8		1
FOO26301D	35	77	1090X690X300	42,9X27,2X11,8		1
FOO26302D	36	79,4	1090X690X300	42,9X27,2X11,8		1
FOO26303D	37	81,6	1090X690X300	42,9X27,2X11,8		1



FILTRATION



FLUID MONITORING



TANK MONITORING



HOSE REELS



ACCESSORIES



MERCHANDISE



AIR



ANTIFREEZE



AdBlue®



BIODIESEL



DIESEL



FOOD



GASOLINE



GREASE



KEROSENE



OIL

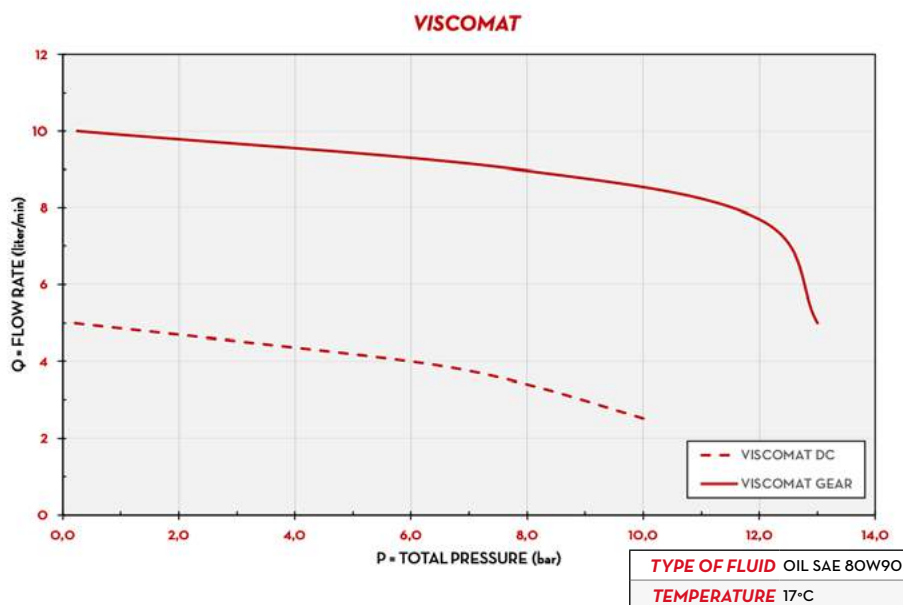


WATER



WINDSCREEN

CHART



IN THE BOX

- VISCOMAT PUMP
- INLINE VALVE
- EASY OIL / EASY K400 NOZZLE
- BATTERY CHARGER (ONLY DC VERSION)
- CART
- FOOT VALVE
- SWIVEL PROTECTION (VISCOTROLL 200 MODELS)
- INSTRUCTION MANUAL

DETAILS



GEAR PUMP

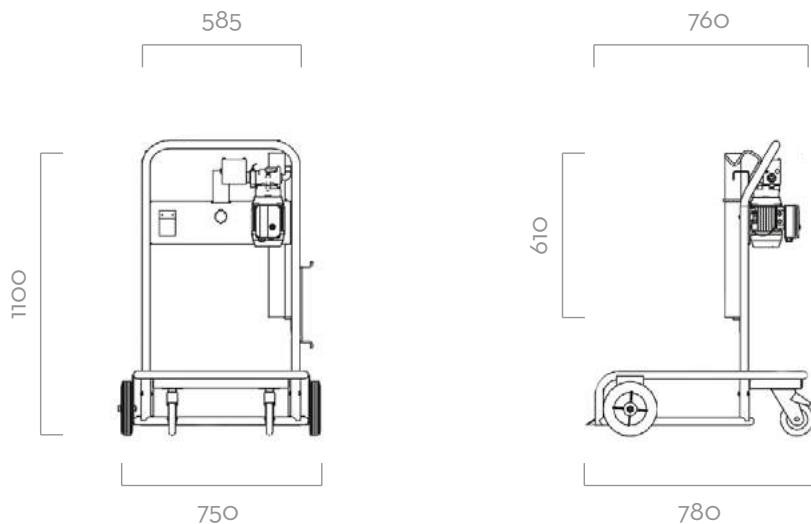


PRESSURE SWITCH



BATTERY CHARGER

DIMENSIONS



Dimensions expressed in millimeters

COMPONENTS

- **PUMP:**
 - VISCOMAT GEAR PAG. 34
 - VISCOMAT DC PAG. 38
 - VISCO FLOWMAT PAG. 36
- **NOZZLE METERS:**
 - EASY K400 PAG. 88
- **NOZZLE:**
 - EASY OIL PAG. 104

TECHNICAL DATA

CODE	DESCRIPTION	FLUIDS TYPE	FLOW RATE			VISCOSITY CST MAX.	VOLTAGE			METER MOD.	PUMP MOD.	NOZZLE TYPE	PRESSURE SWITCH	BATTERY CHARGER VOLT
			L/MIN	GPM			AC V./HZ DC VOLT	POWER WATT	AMP. MAX.					
VISCOTROLL DC 120/1														
FO026320O	VISCOTROLL 120/1 DC PST.	⊙	6	1,6	2000	12	360	30	-	-	VISCOMAT 120/1 DC	EASY OIL	YES	230
FO026321O	VISCOTROLL 120/1 DC PST.K 400	⊙	6	1,6	2000	12	360	30	K400	-	VISCOMAT 120/1 DC	EASY K400	YES	230
VISCOTROLL AC 200														
FO026300D	VISCOTROLL 200/2 AC	⊙	9	2,4	2000	230/50	800	3,8	-	-	VISCOMAT GEAR 200/2	EASY OIL	NO	-
FO026301D	VISCOTROLL 200/2 AC - K400	⊙	9	2,4	2000	230/50	800	3,8	K400	-	VISCOMAT GEAR 200/2	EASY K400	NO	-
FO026302D	VISCOTROLL 200/2 AC - PST	⊙	9	2,4	2000	230/50	800	3,8	-	-	VISCO-FLOWMAT 200/2	EASY OIL	YES	-
FO026303D	VISCOTROLL 200/2 AC - PST - K400	⊙	9	2,4	2000	230/50	800	3,8	K400	-	VISCO-FLOWMAT 200/2	EASY K400	YES	-

VISCOTROLL GEAR